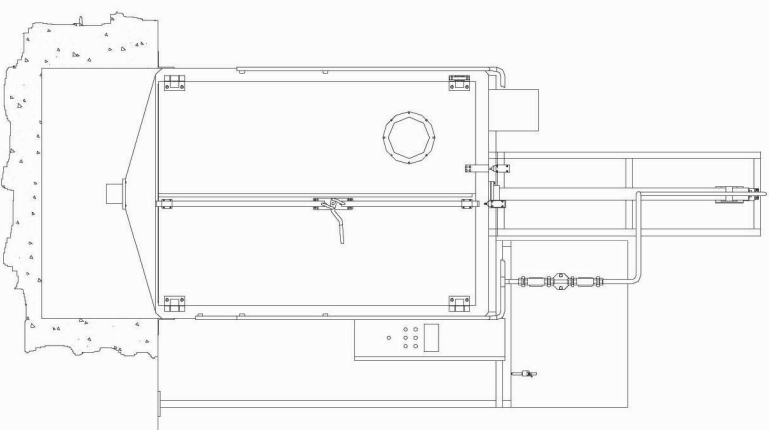


PROFILE

The **MILLENNIUM 5000** is a machine for the washing of bins and vessels of varying sizes. Our **MILLENNIUM 5000** machine assures:

- Accurate washing of the vessels thanks to the special arrangement of the nozzles and the rotating cross inside the washing chamber;
 - Utmost adaptability of the machine for the washing of vessels of varying capacity;
 - Automated washing cycle;
 - Customisation of formulae for every type of vessel/polluting agent combination;
 - To operate in sterile environments and to be designed to meet with FDA requirements;
- Reduced and simplified maintenance due to the self-cleaning feature built into the washing mechanism.

Millennium 5000



| Engineering data | u.m. | Dimension |
|--------------------|--------|-----------------|
| Description | | |
| Height from floor | Mm | c.a. 3610 |
| Width | Mm | c.a. 1500 |
| Depth | Mm | c.a. 1873 |
| Voltage | V | 380 three-phase |
| Pump power wattage | Kw | 4,8 |
| Water flow rate | Litres | 80/min |



DESCRIPTION

The **MILLENNIUM 5000** washing machine consists of:

- A washing chamber (internal shell) built with wide radii of curvature, a minimal number of seams to guarantee utmost hygiene and no protuberances along the walls, thus facilitating the introduction of the vessels and avoiding any accidental damage to the washing nozzles.
- All parts in contact with the washing zone are in 316L unidirectional satin finished stainless steel.
- A padding layer realised in sealed sections in 316L stainless steel which houses the thermal and acoustic isolation panels and the washing nozzle pipes.
- An outward opening double door entirely realised in stainless steel with view window and service light. Since the dimensions allow easy access by persons, a special door release device has been fitted also on the inside of the machine in case of any accidental closure. The door is fitted with a full circumference gasket in silicone with specially designed profiles and applied to an edge obtained by precision tool working so as to assure optimal sealing conditions.
- A bin housing rack mounted at 150mm from the floor and realised in gridded 316L stainless steel. The rack, which is fitted with guides to ensure the correct positioning of the bins, can be removed for inspection purposes and for the washing of the bottom of the shell.

Operational cycle

- **PRE-WASH** with process water to remove coarse material;
- **INITIAL WASH** with heated process water;
- **FINAL WASH** with heated demineralised water. In this phase water repellent agents may be added in doses in alternate periods with a dosing pump;
- **FINAL RINSE** with heated demineralised water.

Alarms and controls

The **MILLENNIUM 5000** washing machine is fitted with a series of devices and control functions that guarantee maximum reliability and safety.

| Accessories | |
|---|--|
| High pressure plant | Detergent dosing pump |
| Stainless steel detergent receptacle | Discharge with siphon in stainless steel |
| Deionized water storage tank in stainless steel | |